

## DAB

### Round Low Temperature Air Duct Heater

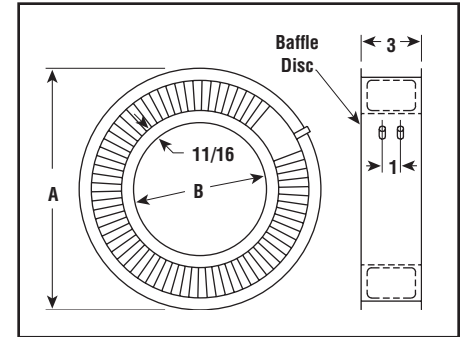
- 2.5 - 5 kW
- 240 Volt
- Single Phase
- Rust-Resisting Iron or MONEL® Sheath Elements

#### Applications

- Use in Dryers, Ovens and other Process Air Heating Equipment
- Comfort Heating in Ducts, Load Banks and Humidity Controls
- Sole Heat Source
- Booster Heater in Process and Comfort Heating Ducts



#### Dimensions (Inches)



#### Construction

**Rugged KSEF Koilfin® Elements UL** Recognized and CSA Certified are enclosed in a spun steel round frame.

**Element** — Rust-Resisting Iron or MONEL® sheath.

**Mounting Gasket** — Furnished with each heater to minimize air leakage between the heater and the mounting surface or between heaters.

**Baffle** — Steel baffle furnished to close the center opening. When a multiple of units are interconnected, only the first and last heater are closed.

#### Features

**Easy Installation in Round Ducts** — Flange permits easy ganging of units to augment heating capacity.

**Air is Forced Over Elements Only** — The center opening of all DAB units may be closed with a sheet steel baffle furnished with the unit.

#### Application & Selection Guidelines

**Maximum Work Temperatures** — Finstrip® elements can generally be used at the following maximum temperatures, without exceeding their capability, if properly installed according to instructions packed with heaters.

Air Velocity (Ft./Sec.)	Max. Outlet Air Temp. (°F)	
	Iron Sheath	MONEL® Sheath
4	—	250
9	150	370
16	250	450

**Note** — Maximum work temperatures are based on 25 W/In<sup>2</sup>. If elements have a lower watt density, work temperature may be increased; if watt density is higher, work temperature should be lower.

**Note** — See Allowable Watt Density & Heater Selection Graphs in Technical section.

#### Specifications and Ordering Information

Watts	Volts	W/In <sup>2</sup>	Dimensions (In.)		Model	Stock	PCN	Wt. (Lbs.)
			A	B				
<b>Rust-Resisting Iron Sheath — for Max. Sheath Temp. to 750°F</b>								
2,500	240	27	12-3/16	6-9/16	DAB-30	NS	264014	6
3,000	240	27	13-15/16	8-5/16	DAB-36	NS	264030	10
4,000	240	25	17-11/16	12-1/16	DAB-48	NS	264057	14
5,000	240	27	19-11/16	14-1/16	DAB-54	NS	264073	16
<b>MONEL® Sheath — for Max. Sheath Temp. to 900°F</b>								
2,500	240	27	12-3/16	6-9/16	<b>DAB-30M</b>	<b>S</b>	<b>264022</b>	6
3,000	240	27	13-15/16	8-5/16	DAB-36M	NS	264049	10
4,000	240	25	17-11/16	12-1/16	DAB-48M	NS	264065	14
5,000	240	27	19-11/16	14-1/16	DAB-54M	NS	264081	16

**Stock Status:** S = stock NS = non-stock  
**To Order**—Specify model, PCN, watts and quantity.

**Note** — Chromalox can supply other sizes and ratings. Contact your Local Chromalox Sales office.